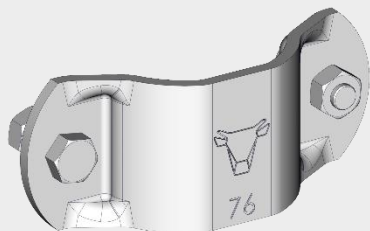
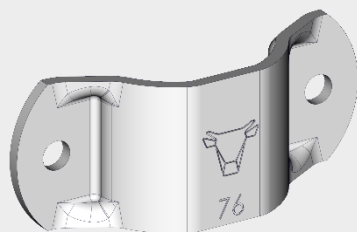


SAC 144\*

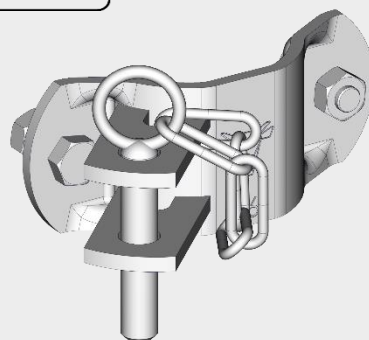


TR2586\*

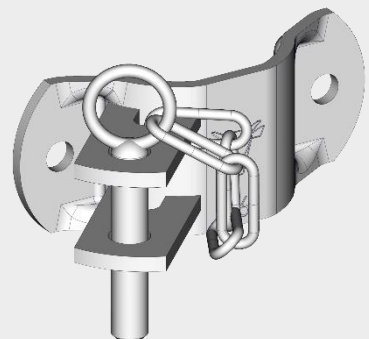


4176005

SAC 144\*

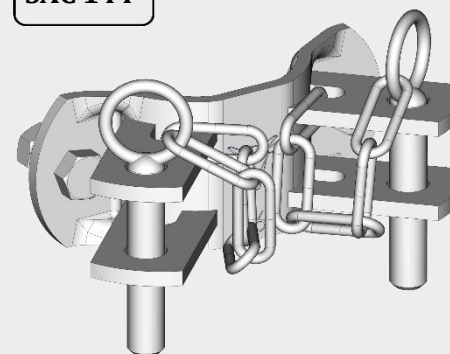


TR2587\*

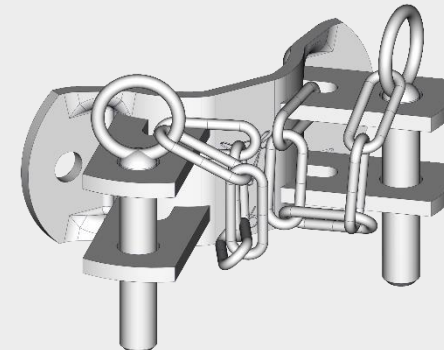


4176006

SAC 144\*



TR2588\*



4176007



JOURDAIN  
www.jourdain-group.com

HALF OCTAGONAL BRACKET D.76MM

THIS DOCUMENT IS THE EXCLUSIVE PROPERTY OF JOURDAIN SAS, IT IS PROVIDED ON A CONFIDENTIAL BASIS.  
IT MUST NEITHER BE COPIED, NOR DISCLOSED TO A THIRD PARTY WITHOUT OUR WRITTEN AUTHORISATION

FTB

21/07/2021