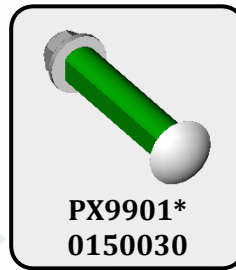
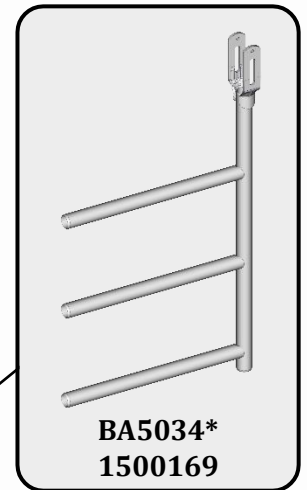


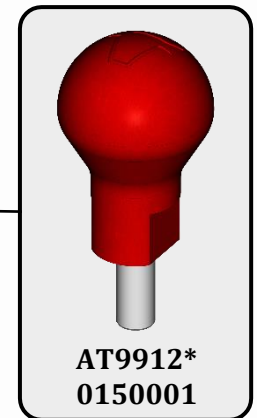
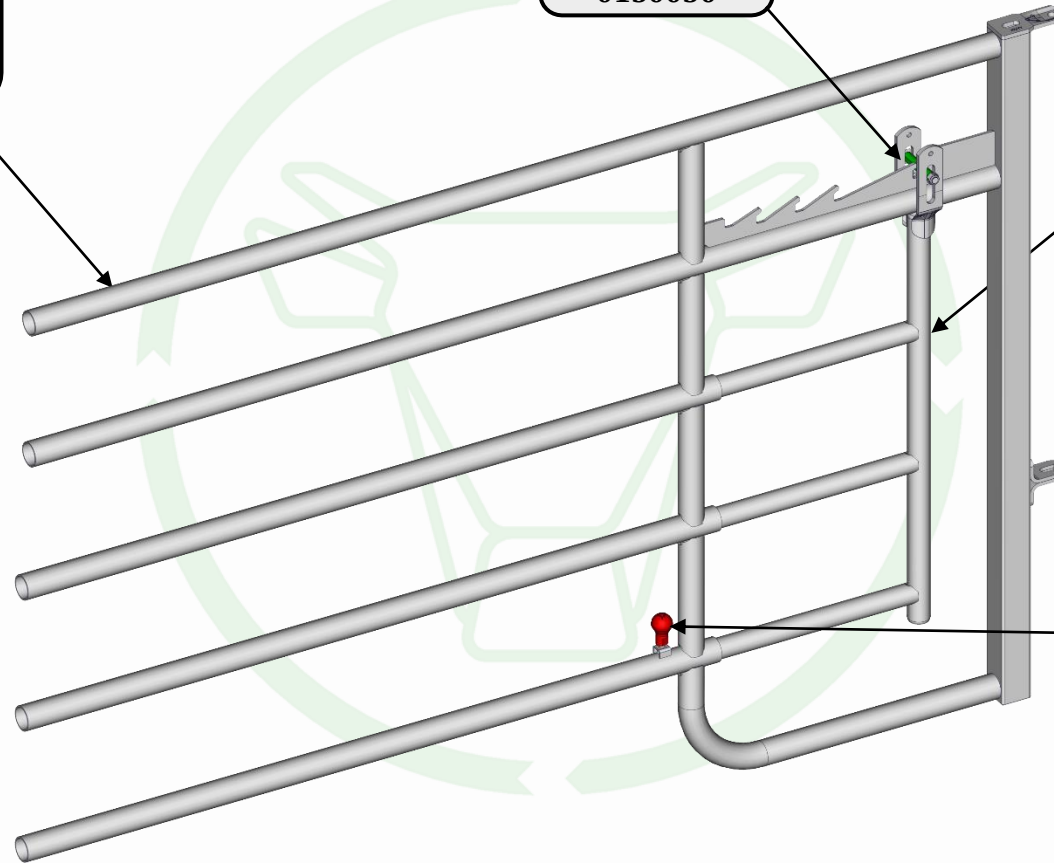
1500167



PX9901*
0150030



BA5034*
1500169



AT9912*
0150001



JOURDAIN
www.jourdain-group.com

BA2098 - FRONT EX5 WITH CALF CREEP

THIS DOCUMENT IS THE EXCLUSIVE PROPERTY OF JOURDAIN SAS, IT IS PROVIDED ON A CONFIDENTIAL BASIS.
IT MUST NEITHER BE COPIED, NOR DISCLOSED TO A THIRD PARTY WITHOUT OUR WRITTEN AUTHORISATION

FTB

25/06/2021